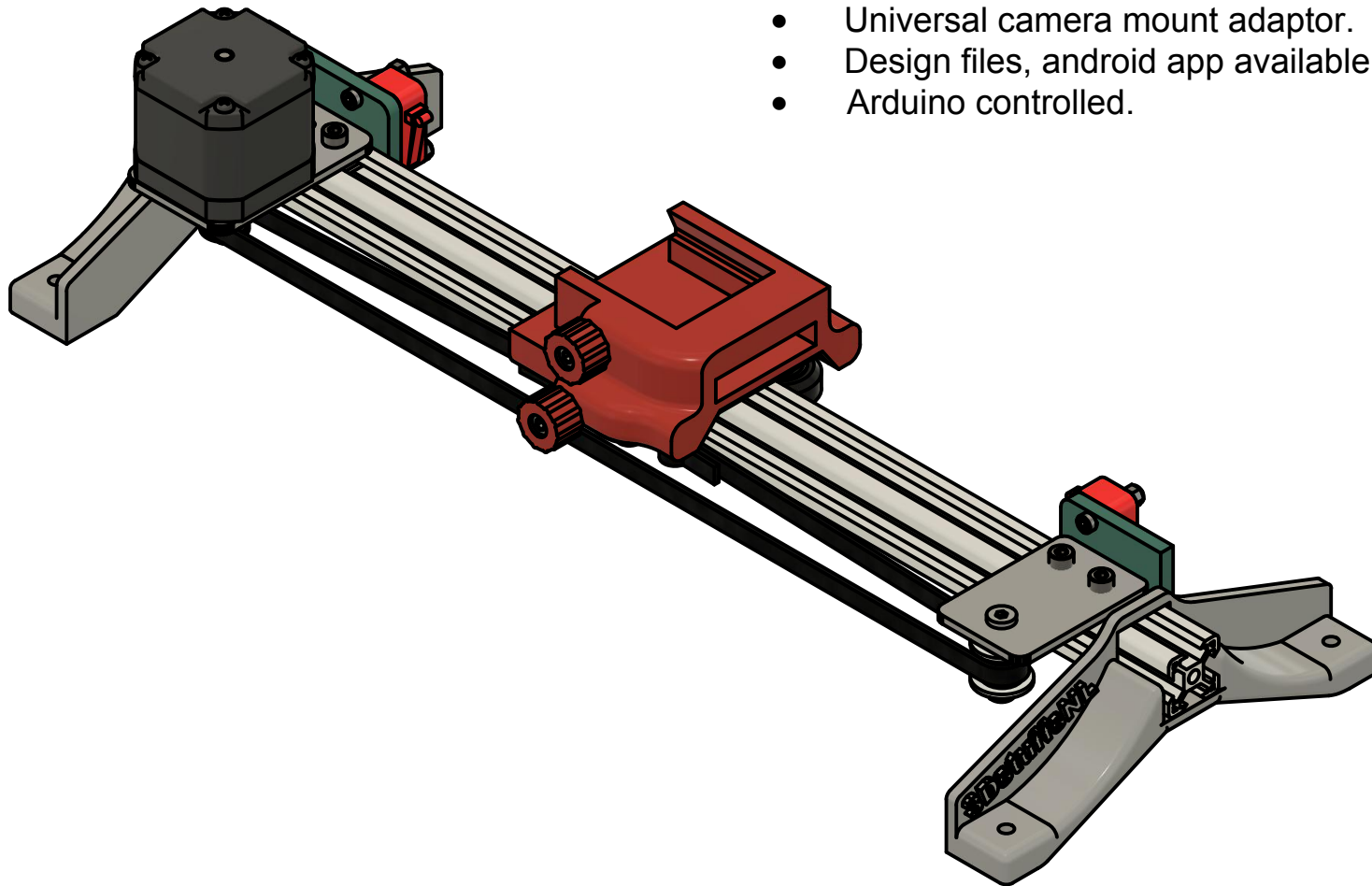


## **Motorized camera slider (smart phone controlled)**

- Custom length to any size.
- Bluetooth control via android app (free download).
- Universal camera mount adaptor.
- Design files, android app available to download.
- Arduino controlled.



Android app, 3Dfiles and build manual available at  
[www.3dstuffs.nl](http://www.3dstuffs.nl)

Designed and developed by: 3dstuffsNL